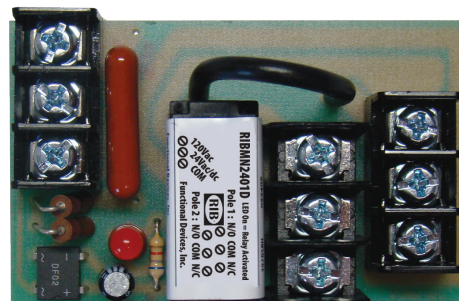
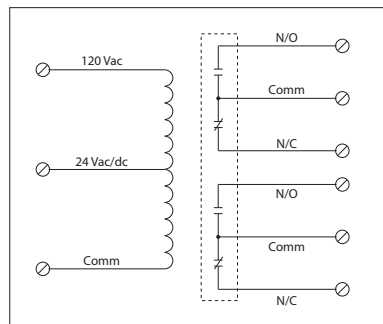


10 AMP TRACK MOUNT CONTROL RELAY

RIBMN2401D

2.75" Track Mount Relay 10 Amp DPDT with 24 Vac/dc/120 Vac Coil



RELAYS

SPECIFICATIONS

Relays & Contact Type: One (1) DPDT Continuous Duty Coil
Expected Relay Life: 10 million cycles minimum mechanical
Operating Temperature: -30 to 140° F
Humidity Range: 5 to 95% (noncondensing)
Operate Time: 8ms
Relay Status: LED On = Activated
Dimensions: 1.700" x 2.750" x 1.750"
Track Mount: 2.750"; See MT212 Series on page 152
MT212 Mounting Track Sold Separately
Approvals: UL Listed, UL916, UL864, C-UL
 California State Fire Marshal
Gold Flash: No
Override Switch: No

Contact Ratings:
 10 Amp Resistive @ 30 Vdc
 10 Amp General Use @ 277 Vac
 1/2 HP @ 120/240 Vac (N/O)
 1/3 HP @ 120/240 Vac (N/C)
B300 Pilot Duty
 120 Vac 30A Make 3A Break (360 VA)
 240 Vac 15 A Make 1.5A Break (360 VA)
 208 Vac 17.3A Make 1.73A Break (360 VA)
 277 Vac 13A Make 1.3A Break (360 VA)
 24 Vac 30A Make 5A Break (120VA) 5A Max

Coil Current:
 36 mA @ 30Vdc
 24 mA @ 18 Vac
 32 mA @ 24 Vac
 40 mA @ 30 Vac
 31 mA @ 120 Vac

Coil Voltage Input:
 24 Vac/dc; 120 Vac; 50-60 Hz
 Drop Out = 3 Vac / 3.8 Vdc
 Pull In = 18 Vac / 20 Vdc