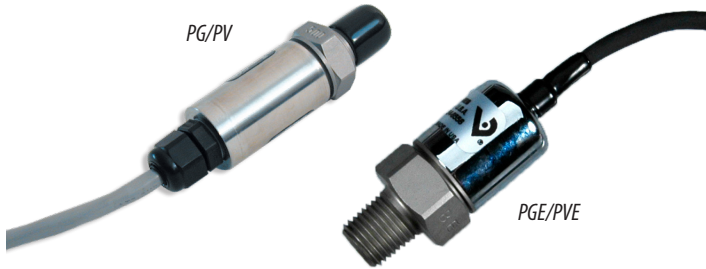


PG/PV/PGE/PVE

PG/PV/PGE/PVE Gauge Pressure Sensors



NOTICE

- This product is not intended for life or safety applications.
- Do not install this product in hazardous or classified locations.
- Read and understand the instructions before installing this product.
- Turn off all power supplying equipment before working on it.
- The installer is responsible for conformance to all applicable codes.

PRODUCT IDENTIFICATION

Type	Range	Wetted Material	Output
PG <input type="checkbox"/>	<input type="checkbox"/>	<input type="checkbox" value="A"/>	<input type="checkbox"/>
Blank = Deluxe E = Economy	03 = 0 to 15 psig (Deluxe only) 04 = 0 to 25 psig 05 = 0 to 50 psig 06 = 0 to 75 psig 07 = 0 to 100 psig 08 = 0 to 250 psig 09 = 0 to 500 psig 10 = 0 to 1000 psig 11 = 0 to 5000 psig 12 = 0 to 10000 psig	= 316L stainless steel	B = 1-5VDC (economy only) M = 4-20mA V = 0-10VDC (deluxe only) J = 0-5VDC (deluxe only)

Type	Range	Wetted Material	Output
PV <input type="checkbox"/>	<input type="checkbox"/>	<input type="checkbox" value="A"/>	<input type="checkbox"/>
Blank = Deluxe E = Economy	03 = -14.7 to 15 psig (Deluxe only) 04 = -14.7 to 25 psig 05 = -14.7 to 50 psig 06 = -14.7 to 75 psig 07 = -14.7 to 100 psig 08 = -14.7 to 250 psig 09 = -14.7 to 500 psig 10 = -14.7 to 1000 psig 11 = -14.7 to 5000 psig 12 = -14.7 to 10000 psig	= 316L stainless steel	B = 1-5VDC (economy only) M = 4-20mA V = 0-10VDC (deluxe only) J = 0-5VDC (deluxe only)

Installer's Specifications

Electrical:

Supply Voltage	10-28 VDC
Output	Deluxe: 0-5/0-10 VDC (3-wire) or 4-20 mA (2-wire) Economy: 1-5 VDC (3 wire) or 4-20 mA (2-wire)
Load Impedance	>100kΩ
Standard Connection	Cable gland 24" (600mm) length
Pressure Port	1/4" NPT Male

Performance at 25°C (77°F):

Accuracy *	Deluxe: ±0.25% BFSL ** Economy: ±0.50% BFSL **
Media Compatibility	Fluids & gases compatible with 316L stainless steel
Pressure Cycles	>100 million cycles
Over Pressure	2x F.S. without change in calibration
Burst Pressure	5x rated pressure or 20,000 PSI

Environmental:

Shock	100G, 11 msec, 1/2 sine
Vibration	Deluxe: 20G peak, 20 to 2400 Hz Economy: 10G peak, 20 to 2000 Hz
EMI/RFI Protection	Deluxe: yes Economy: no
Rating	Deluxe: IP-66 Economy: IP-65
Operating Temperature Range	-40° to 85°C (-40° to 185°F)
Compensated Temperature Range	0° to 55°C (32° to 130°F)
Total Error Band Over Temperature	<±1% of FS
Humidity	0-95% RH, non-condensing

* Accuracy includes nonlinearity and hysteresis.

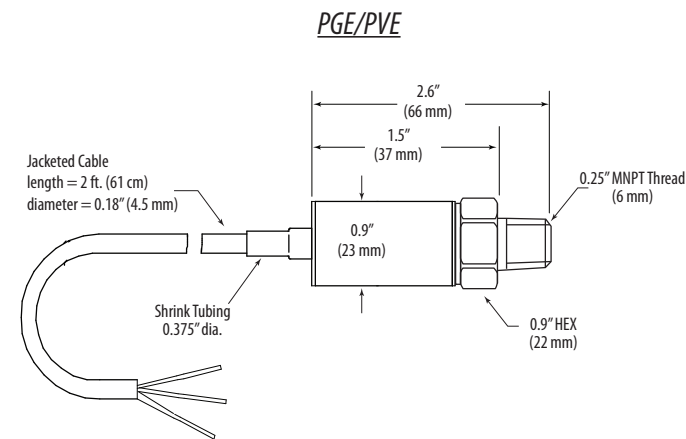
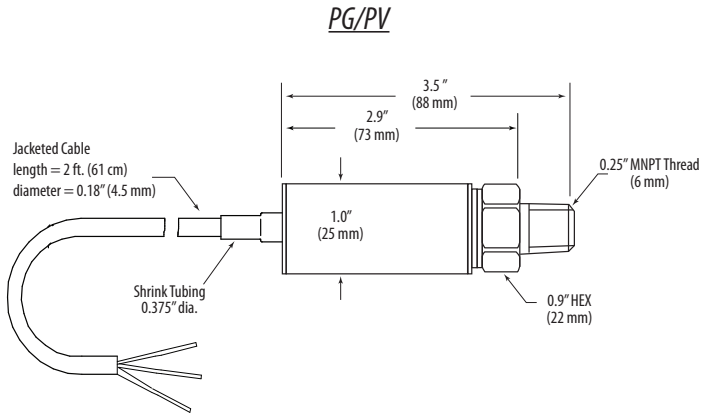
** BFSL = Best fit straight line

QUICK INSTALL

1. Insert probe into area to be measured.
2. Wire according to diagrams. See Wiring section.

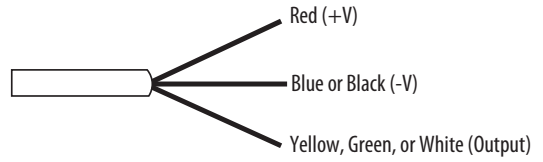
Call factory for ranges not shown.

DIMENSIONS



WIRING

3-wire, 0-5VDC/0-10VDC



2-wire, 4-20mA

